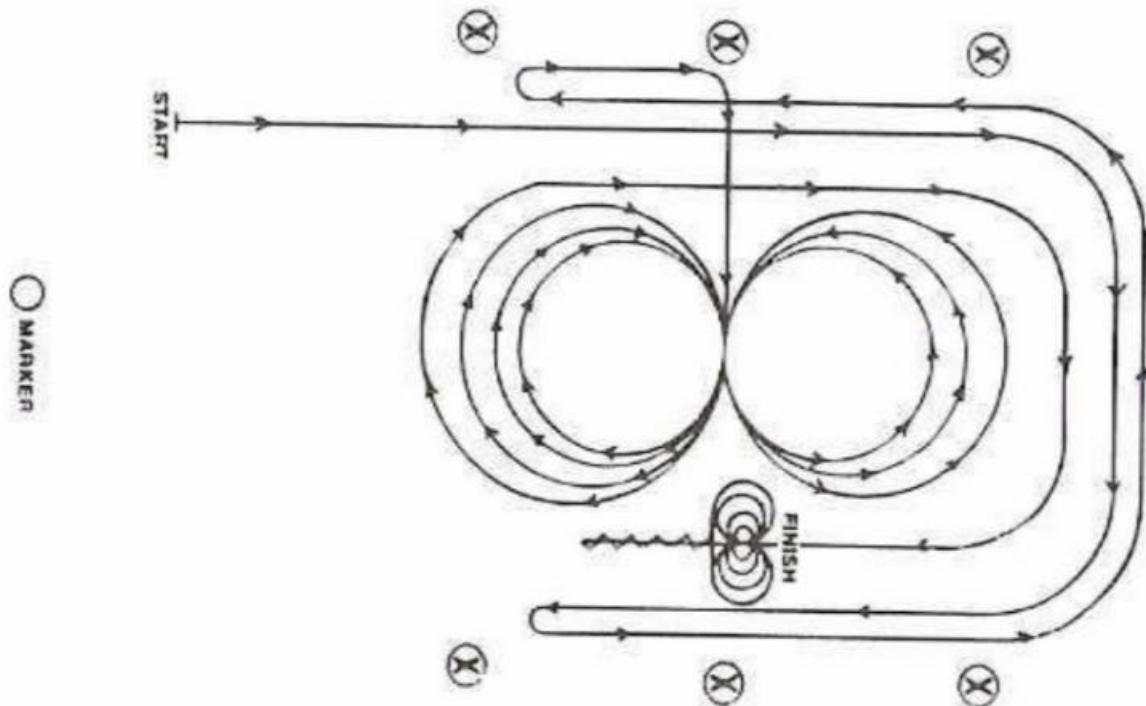


# 2024 MFTHBA Spring Show

## Open Reining (Class 26)



1. Beginning – and staying – at least twenty feet from the fence, lope straight up the left side of the arena – circle the top end of the arena – run straight down the opposite or right side of the arena past the center marker – and do a left rollback, no hesitation.
2. Continue straight up the right side of the arena, staying at least twenty feet from the fence – circle back around the top of the arena – run straight down the left side of the arena, past the center marker, and do a right rollback, no hesitation.
3. Continue up the left side of the arena to the center marker. At the center marker, the horse should be on the right lead. Guide the horse to the center of the arena on the right lead and complete three circles to the right: the first two circles large and fast; the third circle small and slow. Change leads at the center of the arena.
4. Complete three circles to the left: the first two circles large and fast; the third circle small and slow. Change leads in the center of the arena.
5. Begin a large fast circle to the right, but do not close this circle. Continue up the left side of the arena, staying at least twenty feet from the fence; circle the top of the arena – run straight down the opposite or right side of the arena, past the center marker, and do a sliding stop. Back at least ten feet. Hesitate.
6. Complete four spins to the right.
7. Complete four spins to the left. Hesitate to demonstrate completion of the pattern. Flat foot walk to judge for inspection. Rider may drop bridle to the designated judge.